

Product Technical Data Sheet:

Copper Tube Terminals & Associated Tooling

Description

Our high quality copper tube terminals are manufactured with an inspection window to enable a visual check prior to the crimping process, ensuring that the cable wire is correctly positioned inside of the terminal to aid crimping.

The stud end is seamless and has been stamped closed, to minimise any potential water ingress.

The bell shaped edge is a feature is available on 1.5mm² up to 240mm² and designed to enable ease of cable insertion.



Applications

Our Copper tube terminals are used by auto electricians, telecom engineers, and panel builders.

Specifications

Material:

High conductivity copper tube having an electroplated finish to BS 1872 with a 3 μ nominal tin coating, to improve corrosion resistance and enhanced electrical conductivity. Copper to BS EN 1976:1998 specifications with the purity measured at 99.9% and annealed to ASTM B111 C11000 Standard.

Operating Temperature:

The Copper tube terminals can operate up to 180°C

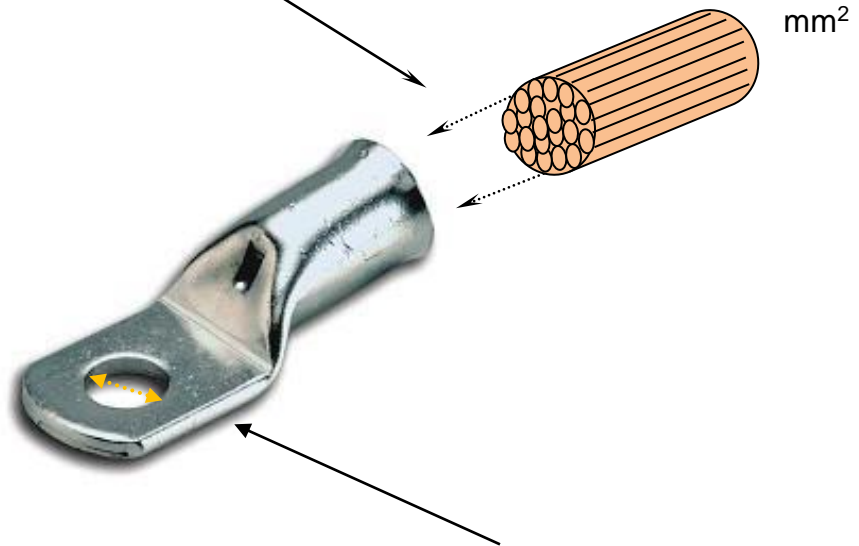
Dimensional:

The internal barrel diameters manufactured to suit industry standard cables as defined by BS 6360, having various stud \varnothing 's available.

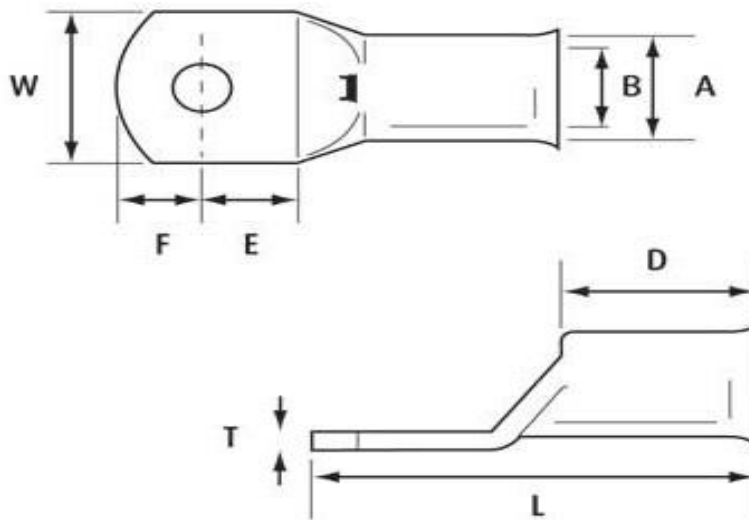
Features:

- Bell shaped entry to allow easier cable insertion for sizes between 1.5mm² and up to 240mm² a tapered edge is present for larger sizes.
- Terminal sizes available from our stock range from 1.5mm² up to 400mm² cables (larger sizes can be requested from our sales team).

Cable cross sectional area in mm²



Various sizes of Stud hole diameter in mm



Cable cross sectional area = 1.5mm²

Stud hole diameter = 4mm

Col

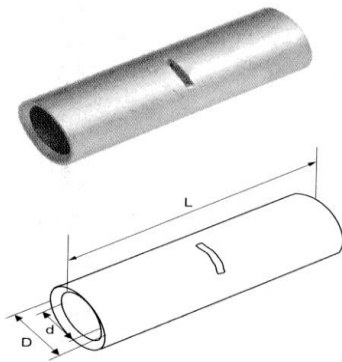
1.5

4

Product ref	Barrel length mm	Palm width mm	Centre hole to edge mm	Centre hole to barrel mm	Stud diameter mm	Hole ID mm ²	Hole OD mm	Total Length mm
	D	W	F	E	Hole	B	A	L
Col 1.5-4	6	8	4	5	4.2	1.8	1.8	19
Col 1.5-5	6	8	4	6	5.2	1.8	1.8	20
Col 2.5-4	7	8	4	5	4.2	2.4	4.0	20
Col 2.5-5	7	8	4	6	5.2	2.4	4.0	21
Col 2.5-6	7	10	5	7	6.5	2.4	4.0	23
Col 4-4	9	8	4	5	4.2	3.1	4.8	22
Col 4-5	9	8	4	6	5.2	3.1	4.8	23
Col 4-6	9	10	5	7	6.5	3.1	4.8	25
Col 6-4	10	8	4	5	4.2	4	5.5	21
Col 6-5	10	8	4	5	5.2	3.8	5.5	23
Col 6-6	10	8	4	6	6.5	3.8	5.5	24
Col 6-8	10	10	5	7	8.4	3.8	5.5	26
Col 6-10	10	12	7	8	10.2	3.8	5.5	30
Col 10-5	10	11	5	6	5.2	4.4	6.9	29
Col 10-6	10	11	5	6	6.2	4.4	6.9	29
Col 10-8	10	12	9	9	8.2	4.4	6.9	38
Col 10-10	10	17	12	12	10.5	4.4	6.9	41
Col 10-12	10	17	12	12	13	4.4	6.9	41
Col 16-5	11	11	5	6	5.2	5.6	8.0	29
Col 16-6	11	11	5	6	6.5	5.6	8.0	29
Col 16-8	11	11	9	9	8.2	5.6	8.0	38
Col 16-10	11	18	11	11	10.5	5.6	8.0	42
Col 16-12	11	18	11	11	13	5.6	8.0	42
Col 25-5	14	13	9	9	5.2	7	9.5	42
Col 25-6	14	13	9	9	6.2	7	9.5	42
Col 25-8	14	13	11	11	8.2	7	9.5	42
Col 25-10	14	16	11	11	10.5	7	9.5	47
Col 25-12	14	18	11	11	13	7	9.5	47
Col 35-6	15	16	9	9	6.2	8.2	11.0	43
Col 35-8	15	16	11	11	8.2	8.2	11.0	43
Col 35-10	15	18	11	11	10.5	8.2	11.0	48
Col 35-12	15	20	12	12	13	8.2	11.0	48
Col 50-6	18	18	9	9	6.5	9.5	12.1	48

Col 50-8	18	18	9	9	8.2	9.5	12.1	48
Col 50-10	18	18	9	9	10.5	9.5	12.1	52
Col 50-12	18	20	11	11	13	9.5	12.1	52
Col 50-14	18	20	11	11	14	9.5	12.1	55
Col 50-16	18	22	14	13	17	9.5	12.1	55
Col 70-6	19	21	10	10	6.2	11.5	15	50
Col 70-8	19	21	10	10	8.2	11.5	15	50
Col 70-10	19	21	11	11	10.5	11.5	15	54
Col 70-12	19	21	11	11	13	11.5	15	54
Col 70-14	19	21	11	11	14	11.5	15	63
Col 70-16	19	24	17	17	17	11.5	15	63
Col 95-8	24	25	12	12	8.2	13.5	17.0	60
Col 95-10	24	25	12	12	10.5	13.5	17.0	60
Col 95-12	24	25	12	12	13	13.5	17.0	60
Col 95-14	24	25	16	16	14	13.5	17.0	60
Col 95-16	24	25	16	16	17	13.5	17.0	67
Col 120-8	29	28	15	14	8.2	15	19	72
Col 120-10	29	28	15	14	10.5	15	19	72
Col 120-12	29	28	15	14	13	15	19	72
Col 120-14	29	28	15	14	14	15	19	72
Col 120-16	29	28	15	14	17	15	19	72
Col 120-20	29	30	16	16	21	15	19	76
Col 150-8	30	30	16	16	8.2	16.5	21	74
Col 150-10	30	30	16	16	10.5	16.5	21	74
Col 150-12	30	30	16	16	13	16.5	21	74
Col 150-14	30	30	16	16	14	16.5	21	74
Col 150-16	30	30	16	16	17	16.5	21	74
Col 150-20	30	30	16	16	21	16.5	21	74
Col 185-10	32	34	16	15	10.5	18.5	23.4	85
Col 185-12	32	34	16	15	13	18.5	23.4	85
Col 185-14	32	34	16	15	14	18.5	23.4	85
Col 185-16	32	34	16	15	17	18.5	23.4	85
Col 185-20	32	34	16	15	21	18.5	23.4	85
Col 240-10	33	38	21	21	10.5	21	26	93
Col 240-12	33	38	21	21	13	21	26	93
Col 240-14	33	38	21	21	14	21	26	93
Col 240-16	33	38	21	21	17	21	26	93
Col 240-20	33	38	21	21	21	21	26	93
Col 300-10	44	40	24	23	10.5	23	28	110
Col 300-12	44	40	24	23	13	23	28	110
Col 300-14	44	40	24	23	14	23	28	110
Col 300-16	44	40	24	23	17	23	28	110
Col 300-20	44	40	24	23	21	23	28	110
Col 400-12	44	51	24	24	13	27	36	111
Col 400-14	44	51	24	24	14	27	36	111
Col 400-16	44	51	24	24	17	27	36	111
Col 400-20	44	51	24	24	21	27	36	111

Copper Tube Butt Terminals



Product ref	Butts	Barrel ID d mm ²	Barrel OD D mm	Length L mm
Col 1.5	B	1.8	3.7	16
Col 2.5	B	2.3	3.9	20
Col 4	B	3	4.7	20
Col 6	B	4	5.9	20
Col 10	B	4.5	6.6	23
Col 16	B	5.5	7.5	30
Col 25	B	6.7	9.1	35
Col 35	B	8.6	11	40
Col 50	B	9.5	12.4	40
Col 70	B	12	15	45
Col 95	B	13.4	17	45
Col 120	B	15	19	50
Col 150	B	16.5	21.2	55
Col 185	B	19	23	60
Col 240	B	21	26.5	60
Col 300	B	24.5	30	70
Col 400	B	27	36.5	80

