

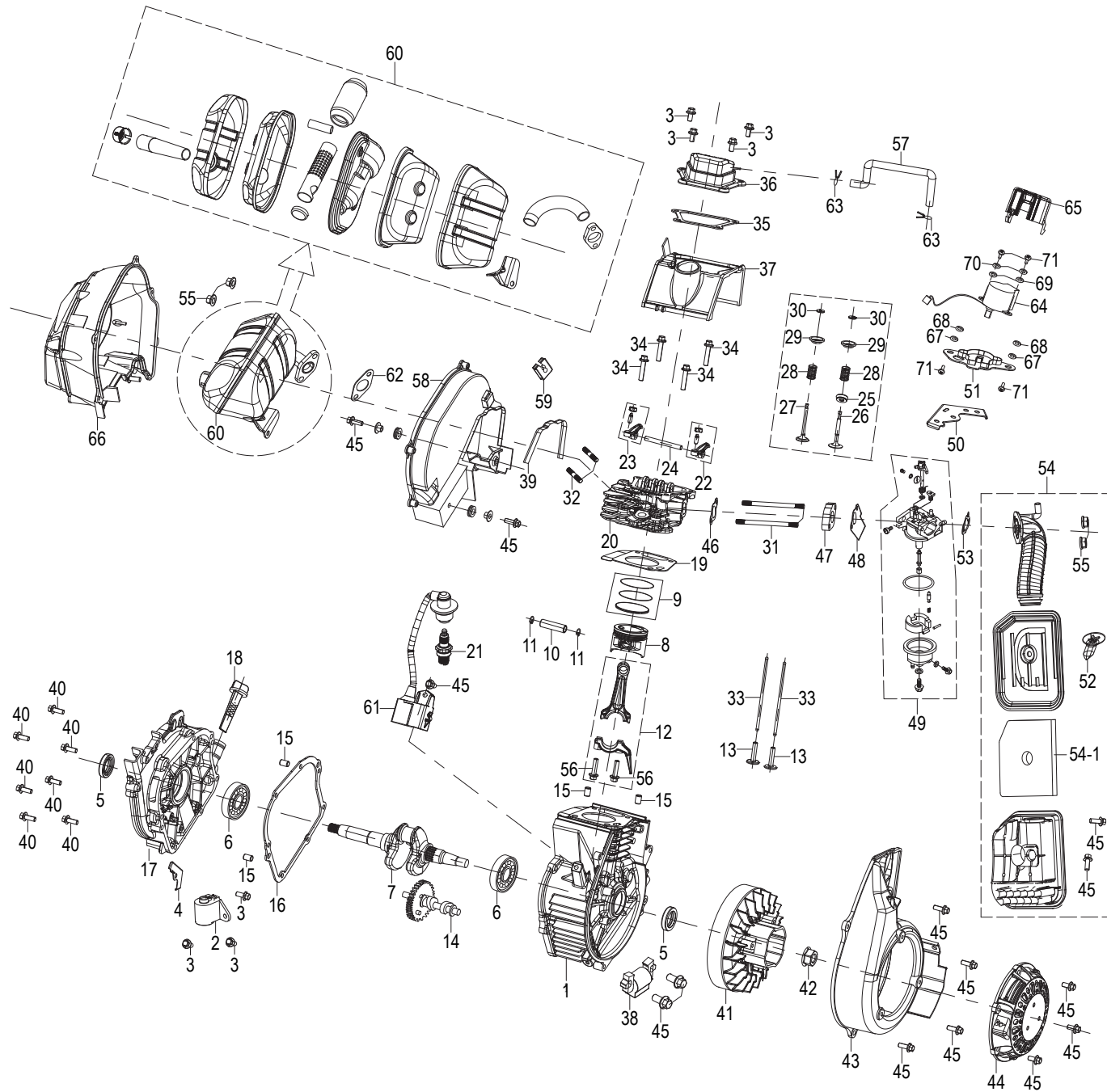
DESPIECE SPAREPARTS

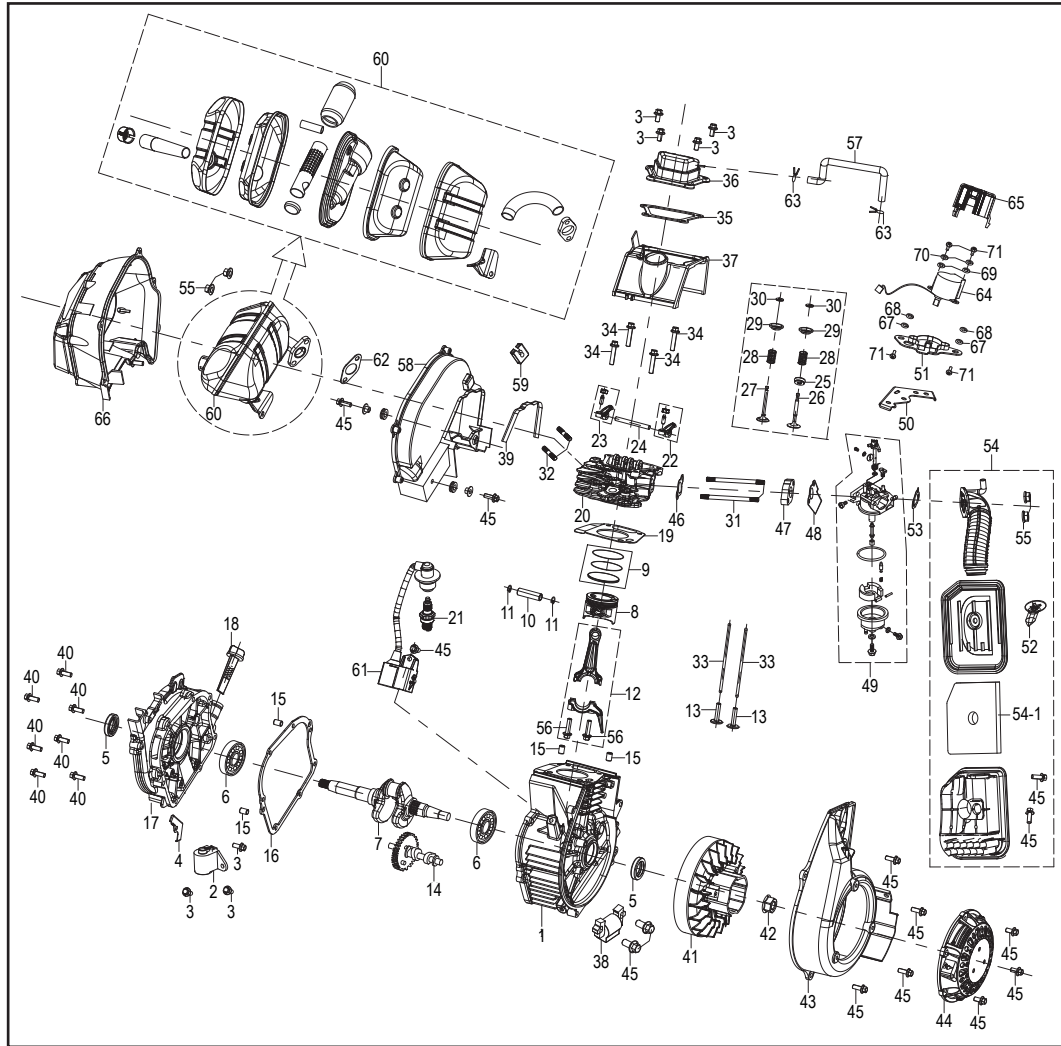
**GENERADOR INVERTER:
HY2000Si**

MOTOR: IC148F

06/12/23

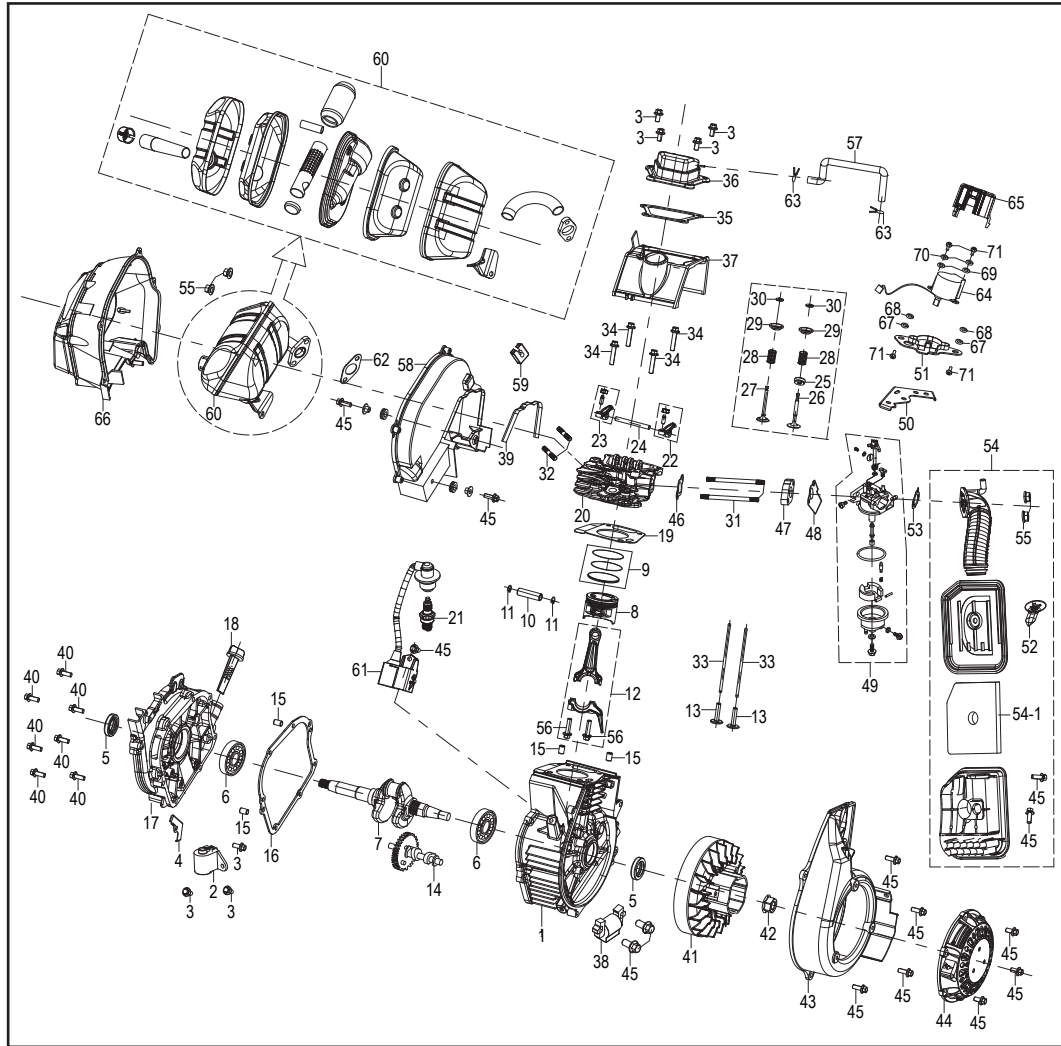
HYUNDAI
POWER PRODUCTS





SP-IC148F-38

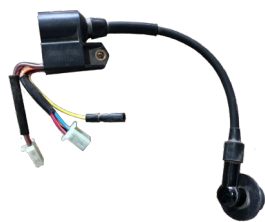
Nº	REF.	DESCRIPCIÓN (ES)	DESCRIPTION (EN)
1	SP-IC148F-01	BLOQUE MOTOR	ENGINE BLOCK
2	SP-IC148F-02	SENSO ACEITE	OIL SENSOR
3	SP-IC148F-03	TORNILLO M6X12	BOLT M6X12
4	SP-IC148F-04	GUIA CABLES	WIRING CLAMP
5	SP-IC148F-05	RETEN Ø20XØ35XØ5	OIL SEAL Ø20XØ35XØ5
6	SP-IC148F-06	COJINETE	BALL BEARING
7	SP-IC148F-07	CIGÜEÑAL	CRANKSHAFT
8	SP-IC148F-08	PISTON	PISTON
9	SP-IC148F-09	CONJ. SEGMENTOS	RING ASSY
10	SP-IC148F-10	BURLON PISTON	PISTON PIN
11	SP-IC148F-11	CLIP BURLON	PISTON PIN CIRCLIP
12	SP-IC148F-12	CONJ. BIELA	CONNECTING ROD ASSY
13	SP-IC148F-13	ASIENTO VARILLA EMPUJE	VALVE LIFTER SEAT
14	SP-IC148F-14	ARBOL DE LEVAS	CAMSHAFT ASSY
15	SP-IC148F-15	PIN GUIA	GUIDE PIN
16	SP-IC148F-16	JUNTA TAPA BLOQUE MOTOR	ENGINE BLOCK COVER GASKET
17	SP-IC148F-17	TAPA BLOQUE MOTOR	ENGINE BLOCK COVER
18	SP-IC148F-18	VARILLA ACEITE	OIL DIPSTICK
19	SP-IC148F-19	JUNTA CULATA	CYLINDER HEAD GASKET
20	SP-IC148F-20	CULATA	CYLINDER HEAD
21	SP-BUJIA-E6RTC	BUJIA TORCH E6RTC	SPARK PLUG TORCH E6RTC
21-1	SP-BUJIA-A5RTC	BUJIA TORCH A5RTC	SPARK PLUG TORCH A5RTC
22	SP-IC148F-22	CONJ. BALANCIN ADMISION	INTAKE ROCKER ARM ASSY
23	SP-IC148F-23	CONJ. BALANCIN ESCAPE	EXHAUST ROCKER ARM ASSY
24	SP-IC148F-24	EJE BALANCINES	ROCKER ARMS SHAFT
25	SP-IC148F-25	ASIENTO MUELLE VALVULA ADMISION	INLET VALVE SPRING SEAT
26	SP-IC148F-26	VALVULA ADMISION	INLET VALVE
27	SP-IC148F-27	VALVULA ESCAPE	VALVE EXHAUST
28	SP-IC148F-28	MUELLE VALVULA	VALVE SPRING
29	SP-IC148F-29	TOPE MUELLE	SPRING STOPPER
30	SP-IC148F-30	FIJADOR TOPE MUELLE	SRPING STOPPER CLAMP
31	SP-IC148F-31	VARILLA ROSCADA CARBURADOR	STUD BOLT
32	SP-IC148F-32	VARILLA ROSCADA ESCAPE	STUD BOLT
33	SP-IC148F-33	VARILLA EMPUJE	PUSH ROD
34	SP-IC148F-34	TORNILLO M6X50	BOLT M6X50
35	SP-IC148F-35	JUNTA TAPA CULATA	CYLINDER HEAD COVER GASKET
36	SP-IC148F-36	TAPA CULATA	CYLINDER HEAD COVER
37	SP-IC148F-37	CUBIERTA CULATA	CYLINDER HEAD COVER
38	SP-IC148F-38	BOBINADO ENCENDIDO	IGNITION COIL
39	SP-IC148F-39	GOMA	RUBBER
40	SP-IC148F-40	TORNIO M6X20	BOLT M6X20
41	SP-IC148F-41	VOLANTE INERCIA	FLYWHEEL



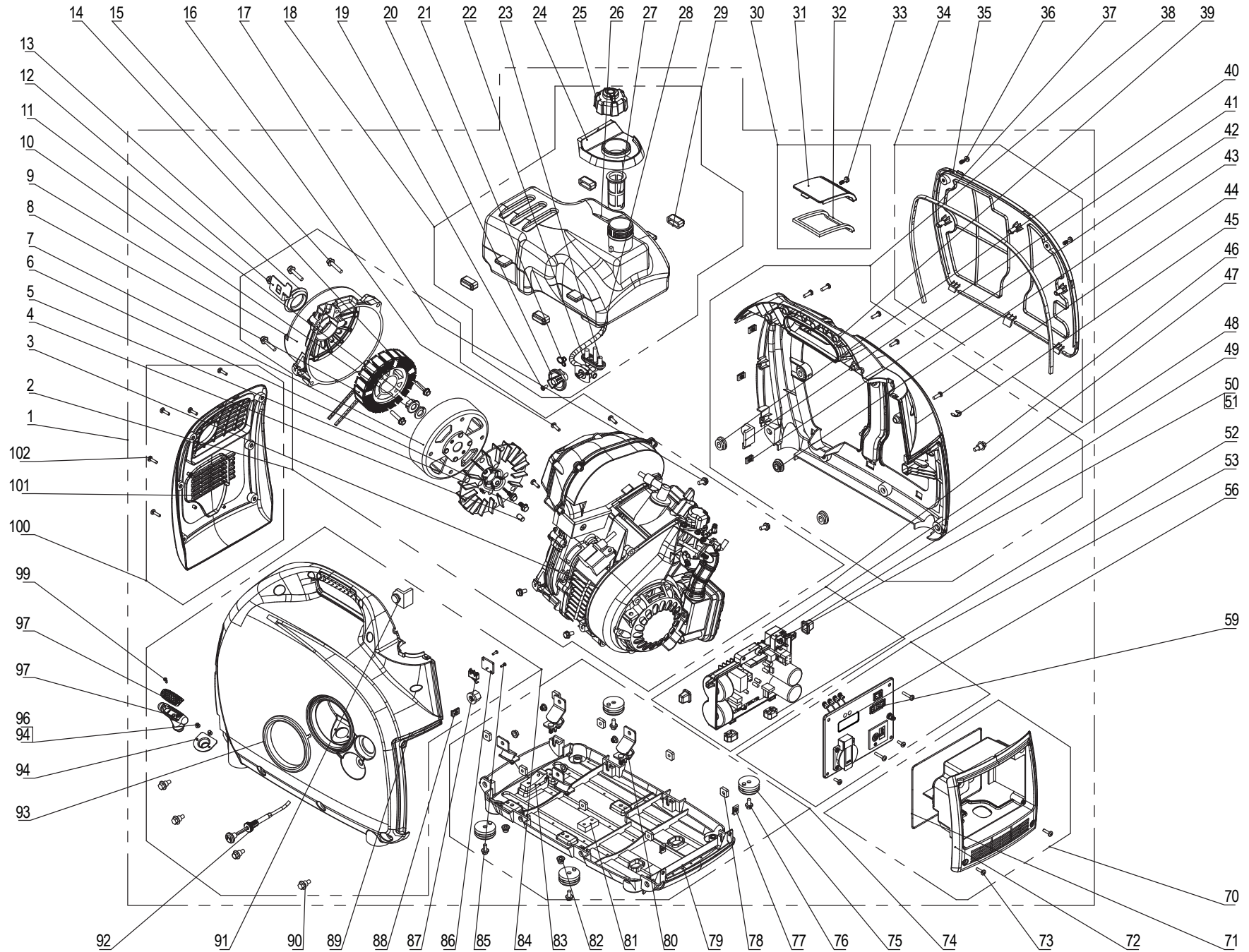
Nº	REF.	DESCRIPCIÓN (ES)	DESCRIPTION (EN)
42	SP-IC148F-42	TUERCA M12	NUT M12
43	SP-IC148F-43	CUBIERTA VOLANTE INERCIA	FLYWHEEL COVER
44	SP-IC148F-44	ARRANCADOR MANUAL	RECOIL STARTER
45	SP-IC148F-45	TORNILLO M6X16	BOLT M6X16
46	SP-IC148F-46	JUNTA CULATA-INSULADOR	CYLINDER HEAD-INSULATOR GASKET
47	SP-IC148F-47	SEPARADOR INSULADOR	INSULATOR SPACER
48	SP-IC148F-48	JUNTA INSULADOR-CARBURADOR	CARBURETOR-INSULATOR GASKET
49	SP-IC148F-49	CARBURADOR	CARBURETOR ASSY
50	SP-IC148F-50	SOPORTE SERVOMOTR	SERVOMOTOR SUPPORT
51	SP-IC148F-51	BASE SERVOMOTOR	SERVOMOTOR BASE
52	SP-IC148F-52	TORNILLO RAPIDO	BOLT M5X12
53	SP-IC148F-53	JUNTA FILTRO AIRE	AIR FILTER GASKET
54	SP-IC148F-54	FILTRO AIRE COMPLETO	AIR CLEANER ASSY
54-1	SP-IC148F-54-1	ELEMENTO FILTRANTE	AIR CLEANER ELEMENT
54-2	SP-IC148F-54-2	ELEMENTO FILTRANTE	AIR CLEANER ELEMENT
55	SP-IC148F-55	TUERCA M6	NUT M6
56	SP-IC148F-56	TORNILLO M6X25	BOLT M6X25
57	SP-IC148F-57	TUBO RESPIRADERO CULATA	BREATHER HOSE
58	SP-IC148F-58	ALOJAMIENTO SILENCIADOR	MUFFLER HOUSING
59	SP-IC148F-59	PASACABLES GOMA	GROMMET
60	SP-IC148F-60	CONJ. SILENCIADOR	MUFFLER ASSY
61	SP-IC148F-61	BOBINA ENCENDIDO	IGNITION COIL
62	SP-IC148F-62	JUNTA ESCAPE	MUFFLER GASKET
63	SP-IC148F-63	ABRAZADERA TUBO RESPIRADERO	BREATHER HOSE BRACKET
64	SP-IC148F-64	SERVO MOTOR	SERVOMOTOR
65	SP-IC148F-65	CUBIERTA SERVOMOTOR	SERVOMOTOR COVER
66	SP-IC148F-66	CUBIERTA SILENCIADOR	MUFFLER COVER
67	SP-IC148F-67	GLOVER Ø5	GROWER Ø5
68	SP-IC148F-68	ARANDELA Ø5	FLAT WASHER Ø5
69	SP-IC148F-69	ARANDELA Ø3.2	WASHER Ø3.2
70	SP-IC148F-70	GLOVER Ø3.2	GROWER Ø3.2
71	SP-IC148F-71	TORNILLO M3X8	BOLT M3X8

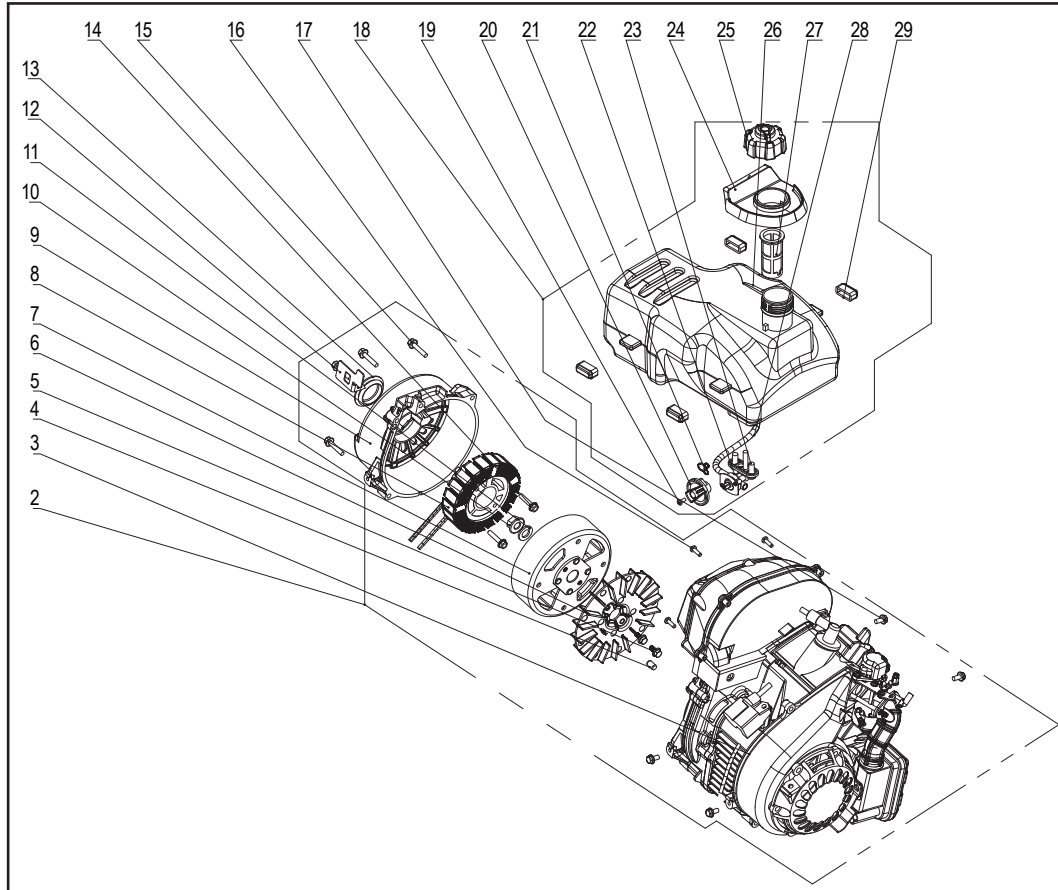


SP-IC148F-54-2

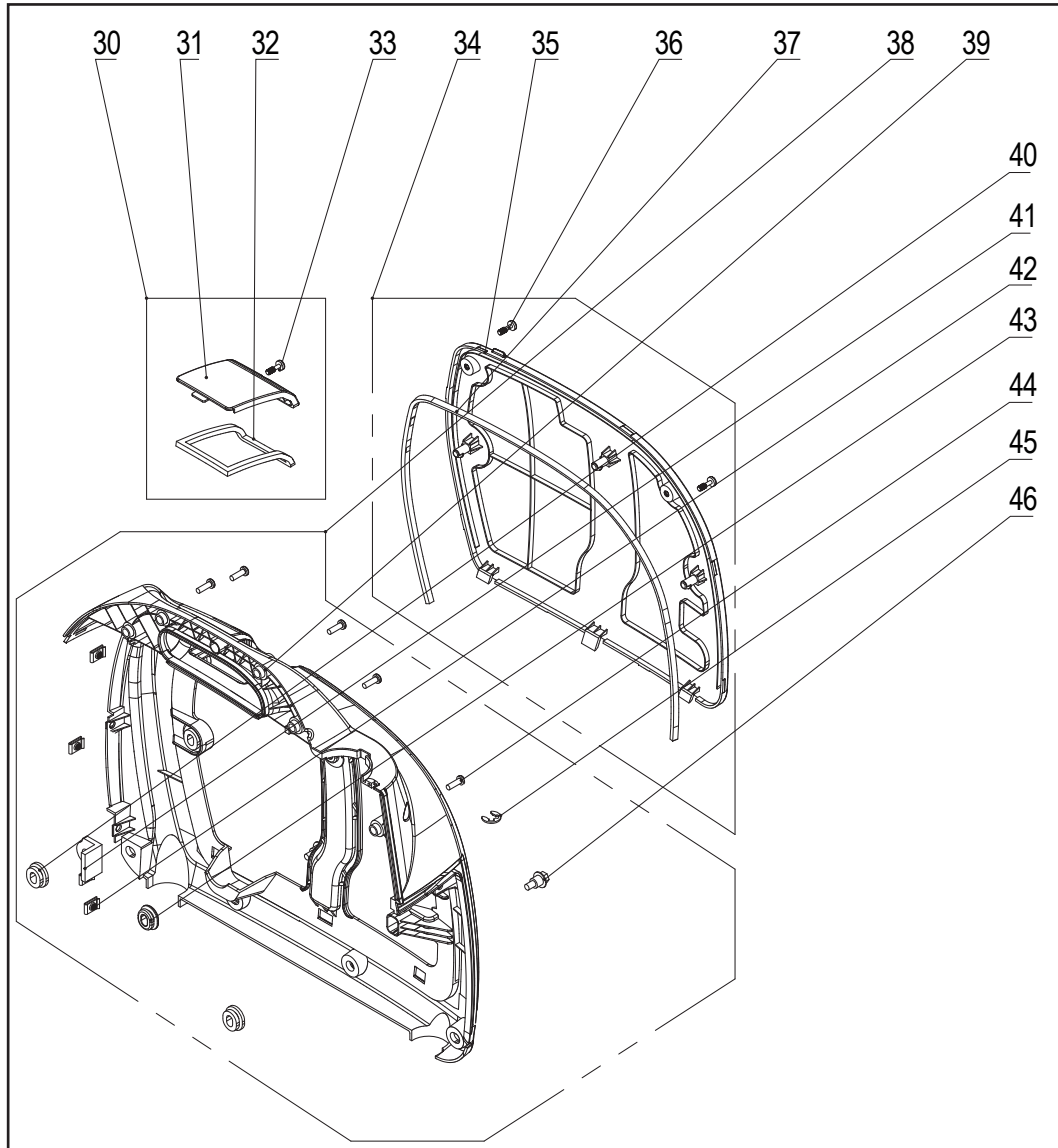


SP-IC148F-61

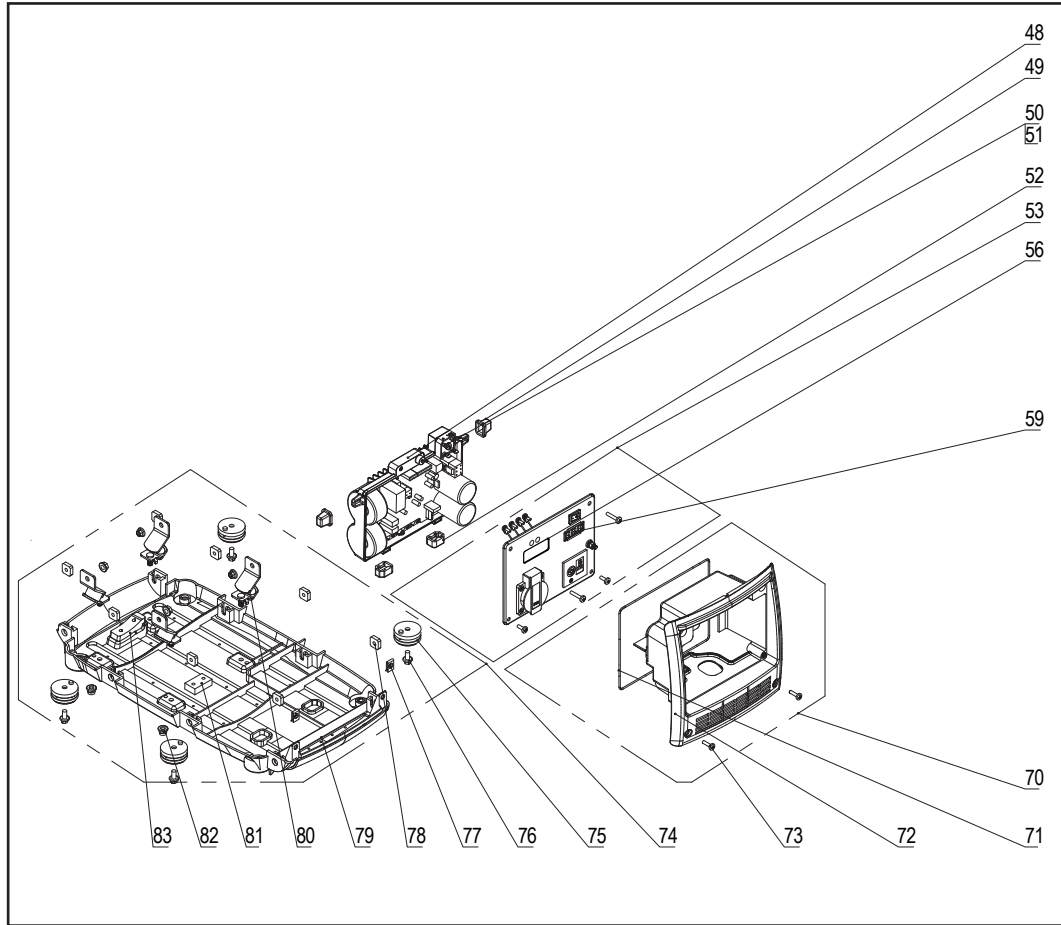




Nº	REF.	DESCRIPCIÓN (ES)	DESCRIPTION (EN)
1	HY-HY2000i	GENERADOR INVERTER GG20i	GG20i INVERTER GENERATOR
2	SP-2000i-02	MOTOR HY149F Y ALTERNADOR	HY149F ENGINE AND ALTERNATOR
3	HY-HY149F	MOTOR HY149F	HY149F ENGINE
4	SP-2000i-04	PASADOR GUIA	GUIDE PIN
5	SP-2000i-05	TORNILLO M6X12	BOLT M6X12
6	SP-2000i-06	VENTILADOR	IMPELLER
7	SP-2000i-07	ROTOR	ROTOR
8	SP-2000i-08	ESTATOR	STATOR
9	SP-2000i-09	TAPA ALTERNADOR	ALTERNATOR COVER
10	SP-2000i-10	TUERCA M12	NUT M12
11	SP-2000i-11	ARANDELA Ø12	WASHER Ø12
12	SP-2000i-12	PASACABLES METALICO	METALLIC GROMMET
13	SP-2000i-13	ANILLO GOMA	RUBBER PLUG
14	SP-2000i-14	TORNILLO M6X20	BOLT M6X20
15	SP-2000i-15	TORNILLO M6X30	BOLT M6X30
16	SP-2000i-16	TORNILLO ST4.8X16	SCREW ST4.8X16
17	SP-2000i-17	TORNILLO M4X16	BOLT M4X16
18	SP-2000i-18	CONJ. DEPOSITO COMBUSTIBLE	FUEL TANK ASSY
19	SP-2000i-19	TORNILLO M6X16	BOLT M6X16
20	SP-2000i-20	PERILLA INTERRUPTOR COMBUSTIBLE	FUEL SWITCH KNOB
21	SP-2000i-21	CLIP TUBO COMBUSTIBLE	FUEL HOSE SPRING CLIP
22	SP-2000i-22	TUBO COMBUSTIBLE	FUEL HOSE
23	SP-2000i-23	GRIFO COMBUSTIBLE	FUEL COCK
24	SP-2000i-24	BASE TAPON DEPOSITO	FUEL TANK CAP BASE
25	SP-2000i-25	TAPON DEPOSITO COMBUSTIBLE	FUEL TANK CAP
26	SP-2000i-26	DEPOSITO COMBUSTIBLE	FUEL TANK
27	SP-2000i-27	FILTRO COMBUSTIBLE	FUEL FILTER
28	SP-2000i-28	TUBO COMBUSTIBLE	FUEL HOSE
29	SP-2000i-29	TACO GOMA	RUBBER BUFFER



Nº	REF.	DESCRIPCIÓN (ES)	DESCRIPTION (EN)
30	SP-2000i-30	CONJ. TAPA BUJIA	SPARK PLUG COVER ASSY
31	SP-2000i-31	TAPA BUJIA	SPARK PLUG COVER
32	SP-2000i-32	JUNTA TAPA BUJIA	SPARK PLUG COVER GASKET
33	SP-2000i-33	TORNILLO M5X16	BOLT M5X6
34	SP-2000i-34	CONJ. TAPA FILTRO AIRE	AIR FILTER COVER ASSY
35	SP-2000i-35	TAPA FILTRO AIRE	AIR FILTER COVER
36	SP-2000i-36	TORNILLO M5X16	BOLT M5X16
37	SP-2000i-37	JUNTA TAPA FILTRO AIRE	AIR FILTER COVER GASKET
38	SP-2000i-38	CONJ. CARCASA DERECHA	RIGHT COVER COVER
39	SP-2000i-39	CARCASA DERECHA	RIGHT COVER
40	SP-2000i-40	TACO GOMA MOTOR	ENGINE RUBBER BUFFER
41	SP-2000i-41	TOPE GOMA	RUBBER STOPPER
42	SP-2000i-42	PLETINA ROSCADA M5	SPRING NUT M5
43	SP-2000i-43	TACO GOMA MOTOR	ENGINE RUBBER BUFFER
44	SP-2000i-44	TORNILLO M5X16	BOLT M5X16
45	SP-2000i-45	CLIP UNION	JOINT CLIP
46	SP-2000i-46	TORNILLO M6X9	BOLT M6X9



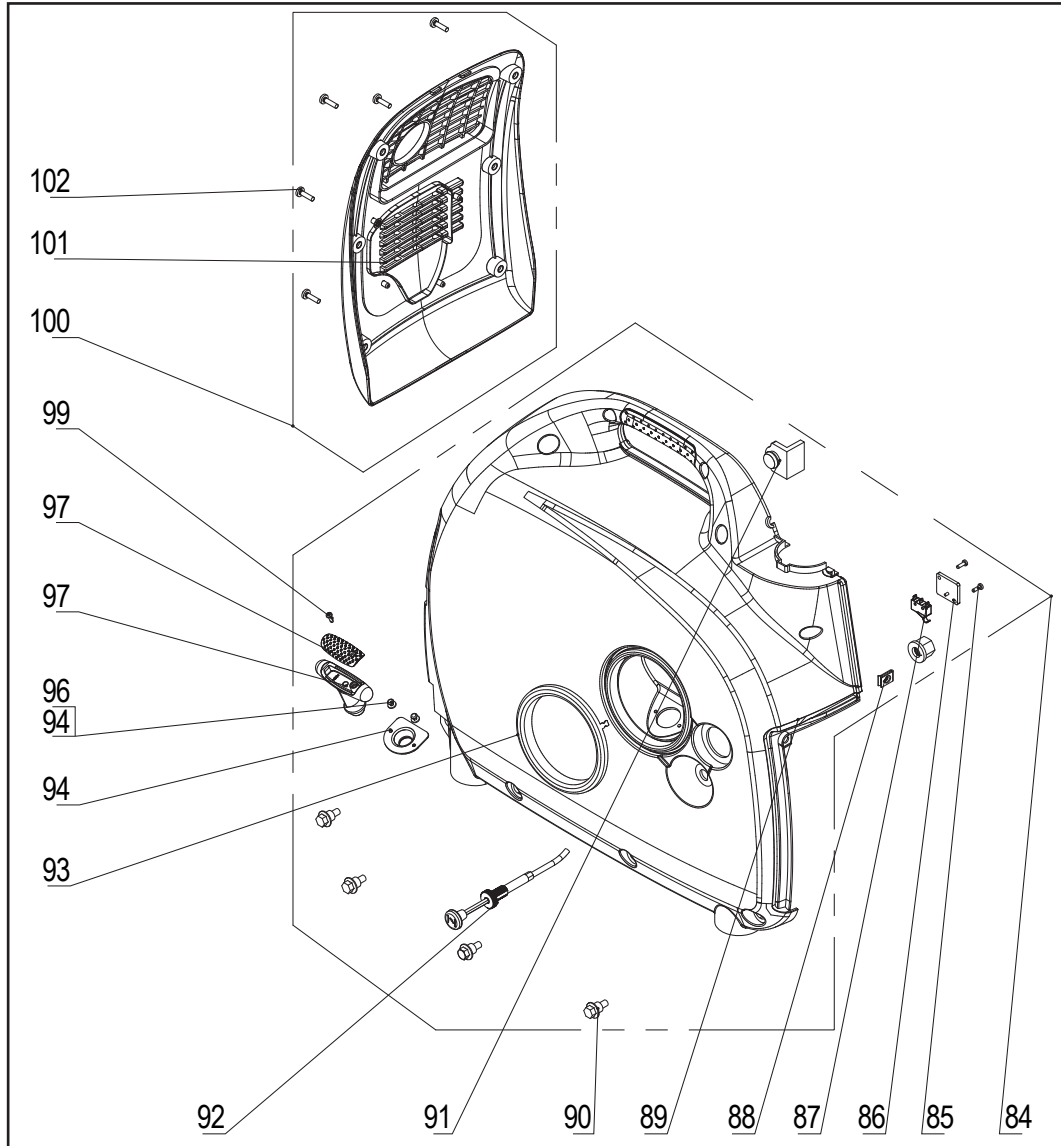
Nº	REF.	DESCRIPCIÓN (ES)	DESCRIPTION (EN)
48	SP-2000i-48	PLACA INVERTER	INVERTER
49	SP-2000i-49	FUNDA GOMA PLACA INVERTER	INVERTER RUBBER SLEEVE
50	SP-2000i-50	RECTIFICADOR	RECTIFIER
51	SP-2000i-51	TORNILLO M5X20	BOLT M5X20
52	SP-2000i-52	TACO GOMA PLACA INVERTER	INVERTER RUBBER BUFFER
53	SP-2000i-53	PANEL CONTROL COMPLETO	CONTROL PANEL ASSY
56	SP-2000i-56	DISPLAY LED	LED DISPLAY
59	SP-2000i-59	PLACA CONTROL	CONTROL BOX
70	SP-2000i-70	CONJ. BASE PANEL CONTROL	CONTROL PANEL BASE ASSY
71	SP-2000i-71	JUNTA BASE PANEL	CONTROL PANEL BASE GASKET
72	SP-2000i-72	BASE PANEL CONTROL	CONTROL PANEL BASE
73	SP-2000i-73	TORNILLO M5X12	BOLT M5X12
74	SP-2000i-74	CONJ. BASE GENERADOR	GENERATOR BASE ASSY
75	SP-2000i-75	PIE GOMA	RUBBER FEET
76	SP-2000i-76	TORNILLO	BOLT
77	SP-2000i-77	PLETINA ROSCADA M6 M6	SPRING NUT M6
78	SP-2000i-78	PLETINA ROSCADA	RUBBER DAMPER
79	SP-2000i-79	BASE GENERADOR	GENERATOR BASE
80	SP-2000i-80	SILENTBLOCK	SILENTBLOCK
81	SP-2000i-81	AMORTIGUADOR GOMA MOTOR	ENGINE RUBBER BUFFER
82	SP-2000i-82	ARANDELA M6	NUT M6
83	SP-2000i-83	AMORTIGUADOR GOMA MOTOR	ENGINE RUBBER BUFFER



SP-2000i-53



SP-2000i-56



Nº	REF.	DESCRIPCIÓN (ES)	DESCRIPTION (EN)
84	SP-2000i-84	CONJ. CARCASA IZQUIERDA	LEFT COVER ASSY
85	SP-2000i-85	TORNILLO ST2.9X9.5	SCREW ST2.9X9.5
86	SP-2000i-86	PLETINA INTERRUPTOR ON/OFF	ON/OFF SWITCH PLATE
87	SP-2000i-87	INTERRUPTOR ON/OFF	ON /OFF SWITCH
88	SP-2000i-88	PLETINA ROSCADA M6	SPRING NUT
89	SP-2000i-89	CARCASA IZQUIERDA	LEFT COVER
90	SP-2000i-90	TORNILLO	BOLT
91	SP-2000i-91	TOPE GOMA	RUBBER BUFFER
92	SP-2000i-92	ESTARTER	STARTER
93	SP-2000i-93	EMBELLECEDOR APERTURA TIRADOR	PULLEY OPENING TRIM
94	SP-2000i-94	GUIA CUERDA TIRADOR	RECOIL STARTER CABLE GROMMET
97	SP-2000i-97	TIRADOR ARRANCADOR	RECOIL STARTER ASSY
100	SP-2000i-100	CONJ. TAPA TRASERA	REAR COVER ASSY
101	SP-2000i-101	TAPA TRASERA	REAR COVER
102	SP-2000i-102	TORNILLO	BOLT
103	SP-PC-OVER-10A	PROTECTOR SOBRECARGA 10A	10A OVERLOAD PROTECTOR