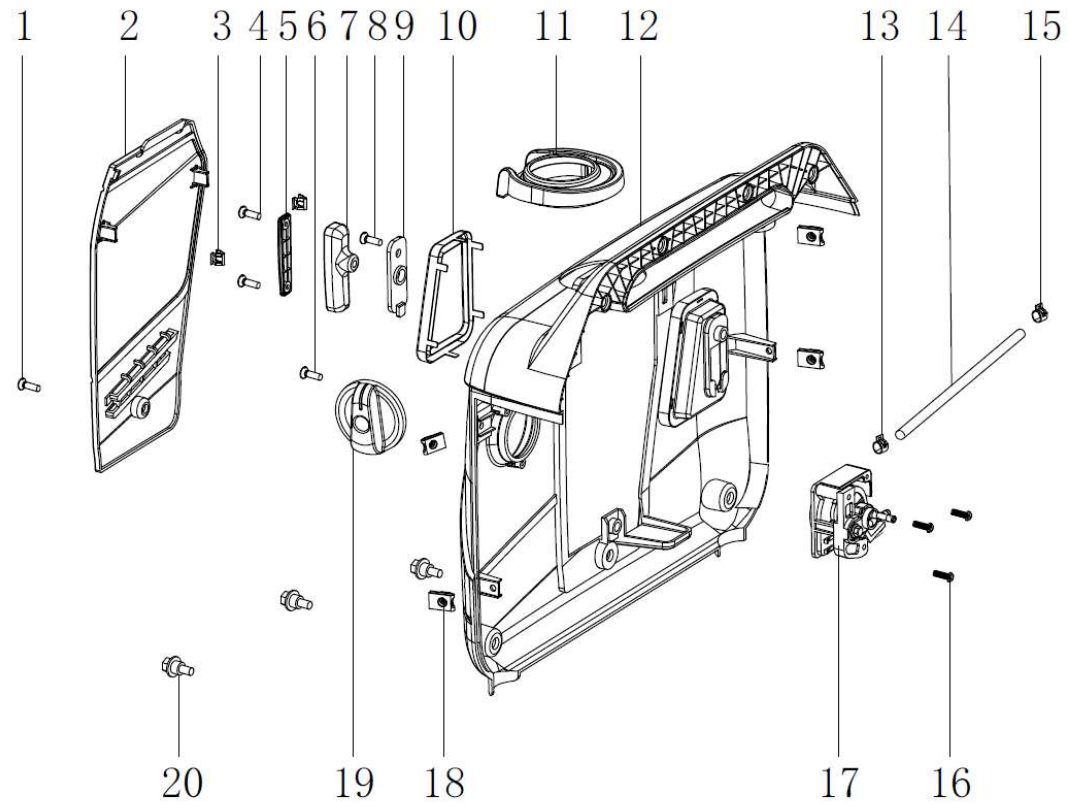


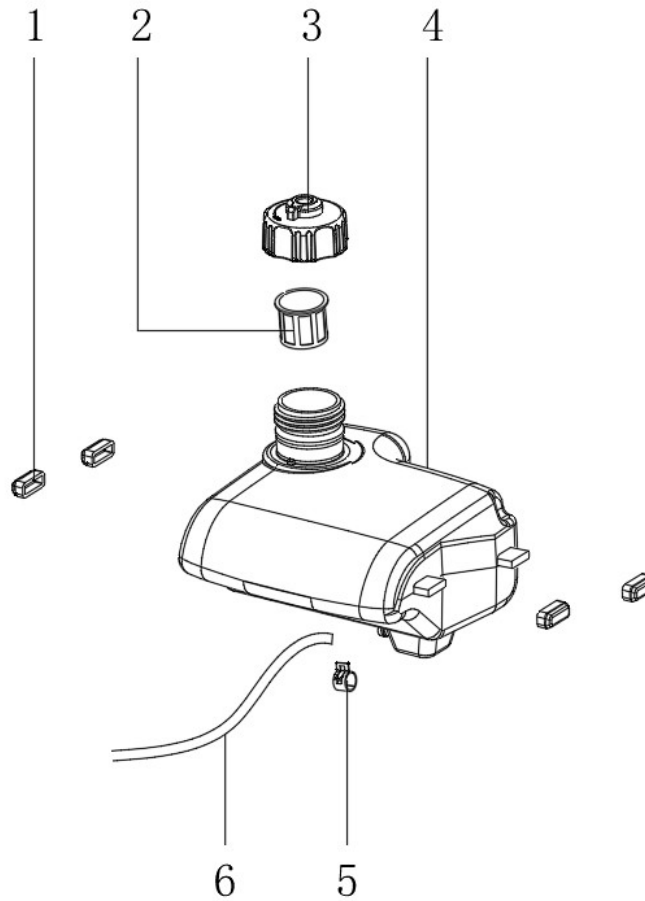
1 Outlet plate



NO.	Part NO.	Description		QTY	
		English	Price (USD)	QTY	Demand Qty
1	30111-00088-00	Cross recessed pan head screws		1	
2	33013-01137-00	Air filter repair cover		1	
3	70009-00317-00	Spring clip		2	
4	30117-00052-00	Cross recessed pan head self tapping screws		2	
5	20184-00044-00	Handle cover		1	

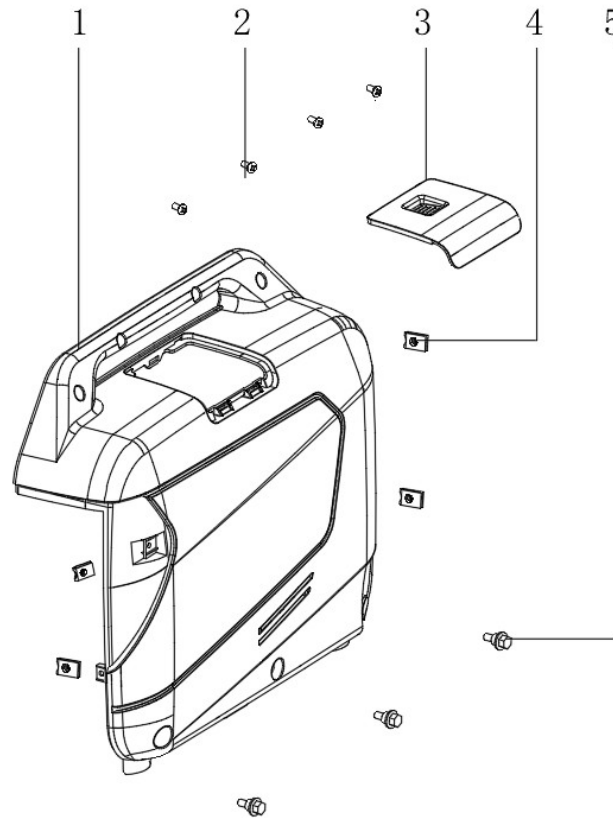
6	30111-00044-00	Cross recessed pan head screws		1	
7	20184-00043-00	Handle assembly		1	
8	30111-00088-00	Cross recessed pan head screws		1	
9	33593-00486-00	Handle stop		1	
10	33014-02148-00	Handle retaining ring		1	
11	33015-00282-00	Fuel tank rubber sleeve		1	
12	33013-01295-00	Left housing assembly		1	
13	34024-00002-00	Clamp		1	
14	34023-00004-00	Fuel pipe		1	
15	34024-00002-00	Clamp		1	
16	30117-00100-00	Self-tapping screws		3	
17	31026-00507-00	Three in one switch		1	
18	34024-00105-00	Clip nut		4	
19	31026-00392-00	Switch knob		1	
20	30101-00341-00	Hexagon flange bolts		3	

2 Fuel tank gasket



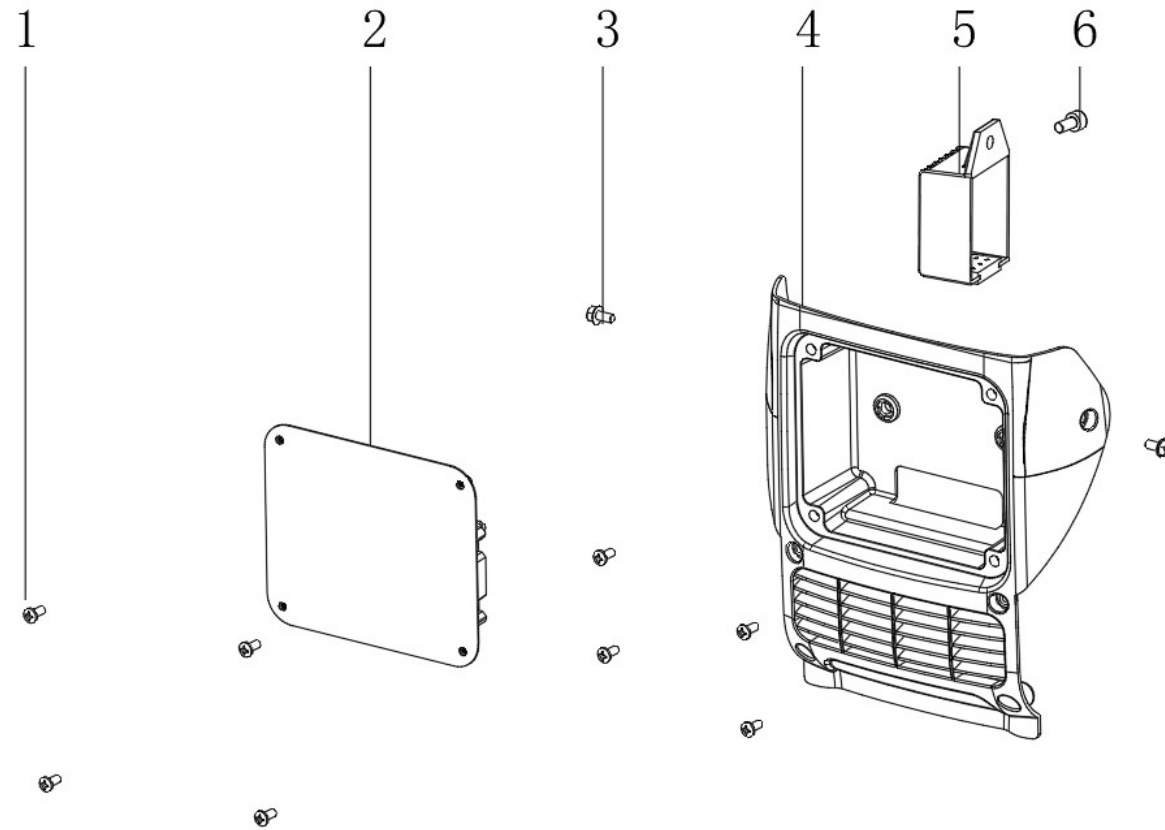
NO.	Part NO.	Description		QTY	
		English	Price (USD)	QTY	Demand Qty
1	33015-00023-00	Fuel tank ear rubber sleeve		3	
2	34037-00001-02	Fuel tank filter		1	
3	20131-00065-00	Fuel tank cap		1	
4	20130-00757-00	Fuel tank		1	
5	34024-00003-00	Clamp		1	
6	34023-00348-01	Fuel pipe		1	

3 Right valve



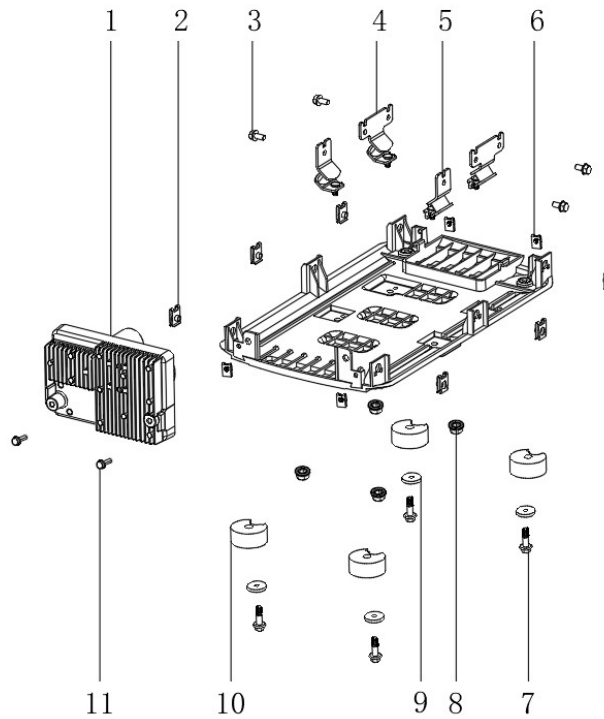
NO.	Part NO.	Description		QTY	
		English	Price (USD)	QTY	Demand Qty
1	33013-01296-00	Machine right shell		1	
2	30111-00088-00	Cross recessed pan head screws		4	
3	33013-01297-00	Spark plug repair cover		1	
4	34024-00105-00	Clip nut		4	
5	30101-00341-00	Hexagon flange bolts		3	

4 Intake plate



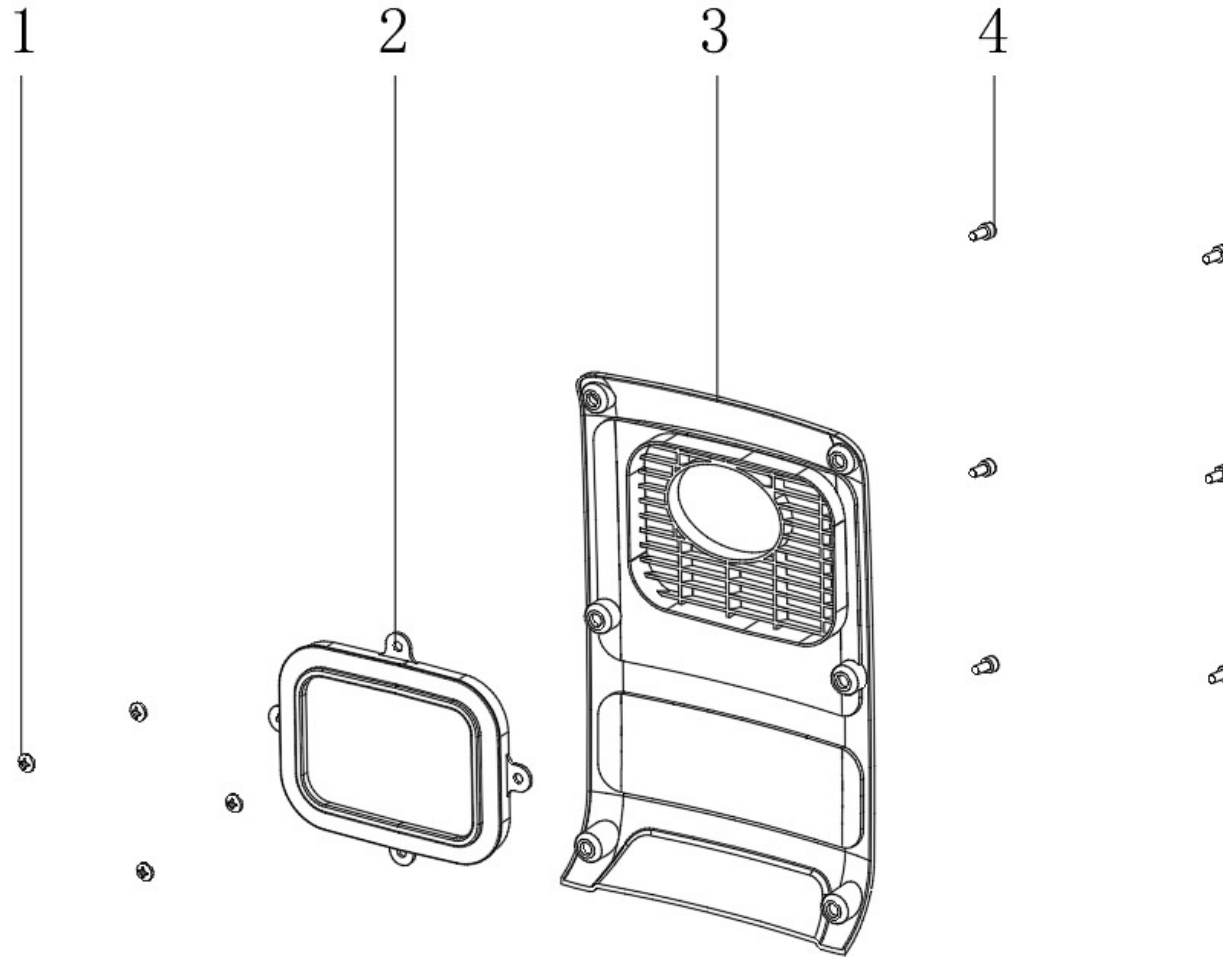
NO.	Part NO.	Description		QTY	
		English	Price (USD)	QTY	Demand Qty
1	30111-00008-00	Cross recessed pan head screws		4	
2	20114-08227-00	Control panel assembly		1	
3	30111-00088-00	Cross recessed pan head screws		6	
4	33013-01133-00	Air intake cover		1	
5	31023-00034-00	DC Regulator		1	
6	30101-00070-00	Hexagon flange bolts		1	

5 Baseboard



NO.	Part NO.	Description		QTY	
		English	Price (USD)	QTY	Demand Qty
1	20136-00668-00	Inverter components		1	
2	34024-00085-00	Clip nut		6	
3	30101-00400-00	Hexagon flange bolts		4	
4	34030-00231-00	Shock absorber		2	
5	34030-00230-00	Shock absorber		2	
6	34024-00105-00	Clip nut		4	
7	30101-00042-00	Hexagon flange bolts		4	
8	30125-00002-00	Hexagonal flange nut		4	
9	30136-00113-00	Flat washers		4	
10	33275-00122-00	Machine shell rubber pad		4	
11	30101-00070-00	Hexagon flange bolts		2	

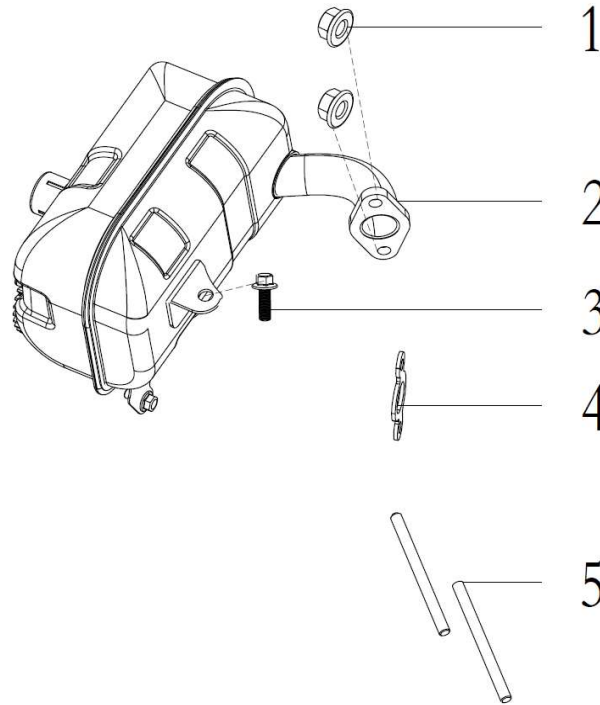
6 Left casing



NO.	Part NO.	Description		QTY	
		English	Price (USD)	QTY	Demand Qty
1	30150-00026-00	Elastic clamp ring for shaft		4	
2	33015-00203-00	Muffler outlet rubber sleeve		1	
3	33013-01134-00	Air outlet cover		1	
4	30111-00088-00	Cross recessed pan head screws		6	

7 Engine

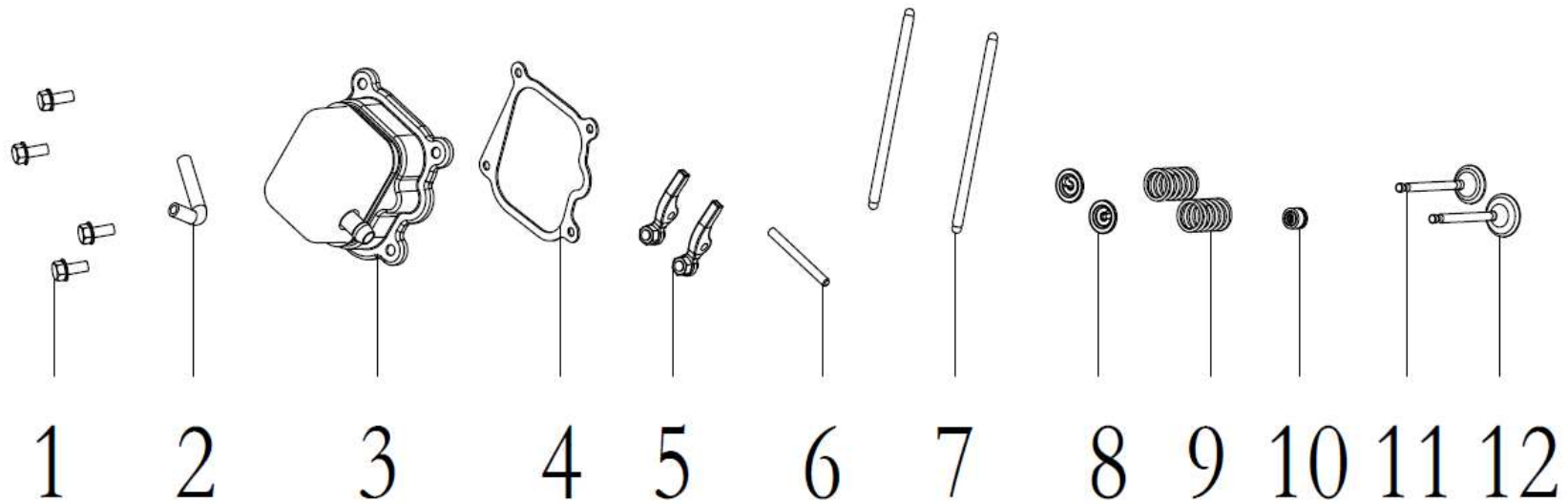
7-1. Silencer



NO.	Part NO.	Description		QTY	
		English	Price (USD)	QTY	Demand Qty
1	30121-00038-00	Hexagonal nut		2	
2	20202-01082-00	Muffler parts		1	
3	30101-00401-00	Hexagon flange bolts		1	
4	33048-00706-00	Exhaust port gasket		1	
5	30110-00024-00	Exhaust studs		2	

11	34019-00102-00	Intake valve lower rocker arm		1	
12	30134-00023-00	Lower rocker arm shaft		2	
13	20012-00055-00	Camshaft assembly		1	
14	20011-00313-01	Crankshaft assembly		1	
15	34004-00113-00	piston		1	
16	34006-00148-00	Piston pin		1	
17	30150-00117-00	Piston pin retaining ring		2	
18	20084-00086-00	Piston ring assembly		1	
19	20008-00059-00	Connecting rod assembly		1	
20	34019-00103-00	Exhaust valve lower rocker arm		1	
21	34006-00204-00	Cylindrical pins		2	
22	30141-00112-00	Deep groove ball bearings		1	
23	33048-00584-00	O-Ring		1	
24	33247-00024-00	Oil sensor		1	
25	30101-00070-00	Hexagon flange bolts		2	
26	20026-00064-00	Oil dipstick assembly		1	

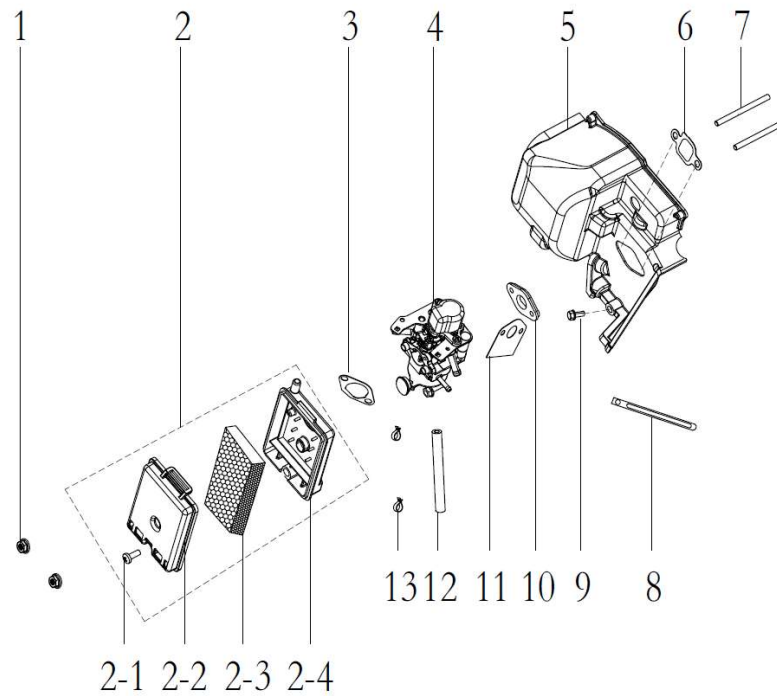
7-3. Valve structure



NO.	Part NO.	Description		QTY	
		English	Price (USD)	QTY	Demand Qty
1	30101-00066-00	Hexagon flange bolts		4	
2	34023-00016-00	Exhaust pipe		1	
3	20021-00072-01	Cylinder head assembly		1	
4	33048-00495-00	Cylinder head gasket		1	
5	34019-00053-01	Upper rocker arm		2	
6	30134-00024-00	Upper rocker arm shaft		1	

7	34020-00044-00	Valve push rod		2	
8	34016-00112-00	Valve spring seat		2	
9	34015-00119-00	Valve spring		2	
10	34018-00019-00	Intake valve oil shield		1	
11	34013-00130-00	Exhaust valve		1	
12	34013-00129-00	Intake valve		1	

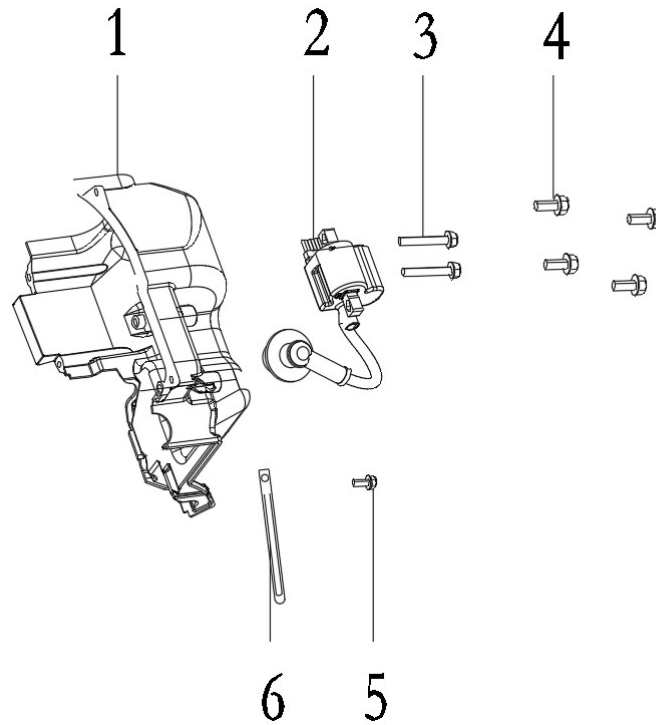
7-4. Air filter carburetor combinatgion



NO.	Part NO.	Description		QTY	
		English	Price (USD)	QTY	Demand Qty
1	30125-00002-00	Hexagonal Flange Nut		2	
2	20025-00223-00	Air filter assembly		1	
2-1	30111-00027-00	Air filter locking bolt		1	
2-2	20025-00223-00001	Air filter cover		1	

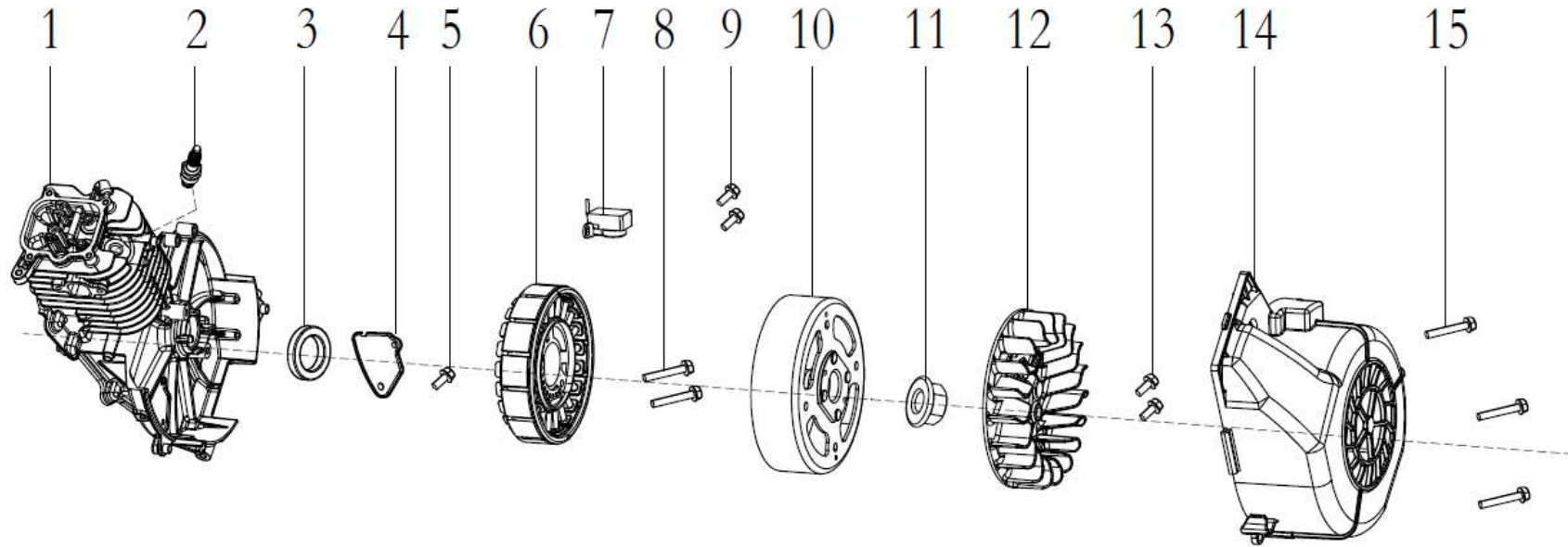
2-3	20025-00223-0000 2	Foam filter		1	
2-4	20025-00210-0000 1	Air filter seat		1	
3	33048-00042-00	Air filter gasket		1	
4	20024-00519-02	Carburetor assembly		1	
5	34021-00311-00	Air intake shroud		1	
6	33048-00496-00	Air inlet gasket		1	
7	30110-00187-00	Inlet stud bolt		2	
8	34024-00004-00	Metal wire clip		1	
9	30101-00066-00	Hexagon flange bolts		1	
10	34012-00051-00	Carburetor connecting block		1	
11	33048-00497-00	Carburetor gasket		1	
12	34023-00004-00	Fuel pipe		1	
13	34024-00002-00	Clamp		2	

7-5. Igniter



NO.	Part NO.	Description		QTY	
		English	Price (USD)	QTY	Demand Qty
1	34021-00312-00	Exhaust air shroud		1	
2	31013-00140-01	High voltage package		1	
3	30101-00342-00	Hexagon flange bolts		2	
4	30117-00001-00	Cross recessed pan head self tapping screws		4	
5	30101-00066-00	Hexagon flange bolts		1	
6	34024-00004-00	Metal wire clip		1	

7-6. Housing motor group



NO.	Part NO.	Description		QTY	
		English	Price (USD)	QTY	Demand Qty
1	34011-00179-01	Crankcase		1	
2	20027-00023-00	spark plug		1	
3	34007-00115-00	Oil seal		1	
4	33593-00421-00	Pressure plate		1	
5	30101-00066-00	Hexagon flange bolts		1	
6	20005-00396-00	Motor stator		1	
7	20028-00137-00	trigger		1	
8	30101-00530-00	Hexagon flange bolts		2	
9	30101-00070-00	Hexagon flange bolts		2	
10	20006-00175-00	Motor rotor		1	
11	30125-00009-00	Hexagonal Flange Nut		1	
12	33099-00251-00	impeller		1	

13	30101-00070-00	Hexagon flange bolts		2	
14	34021-00310-00	Air guide cover		1	
15	30101-00068-00	Hexagon flange bolts		3	